



AKAPP-STEMMANN

Member of the Fandstan Electric Group

CABLE REELS

AZ15315



AKAPP SELF WINDING CABLE REEL

with cable, cable stop and locking

Type AZ15315

Some important features:

- **Low maintenance:** The solid synthetic housing, the steel, coated fastening clamp and other important components require virtually no maintenance.
- **Cost saving:** the roller guide ensures the correct winding and unwinding. Your cable is spared and therefore prolongs the service life of the cable!
- **Traction free working conditions:** The integrated ratchet is ideally suited for hand tools. The tractive force generated by the spring cable will eliminate continuous spring tension.
- **Suitable for mounting on the wall as well as to the ceiling.** Due to the use of the included swivelling clamp, the reel can easily be mounted to the wall as well as to the ceiling.
- **Thermal safeguard.** The built-in thermal safeguard prevents overheating i.e upon the occurrences of too high power values.
- **Delivery including cable.** These reels are provided with a cable of approx. 15 m neoprene round cable 3x1,5 mm 2 and cable stop as a standard. Moreover, the cable is provided with a connecting cable of approximately 1,5 meter.

AKAPP cable reels have been designed to provide top performance for both general and industrial use.

The design of the reels maximises:

- **convenience:** easy installation, use and maintenance;
- **reliability:** built using high quality component parts;
- **safety:** AKAPP reels eliminate the kinks and tangles that cause accidents and damage equipment.

Save money, work safe: use AKAPP reels!

Also available:

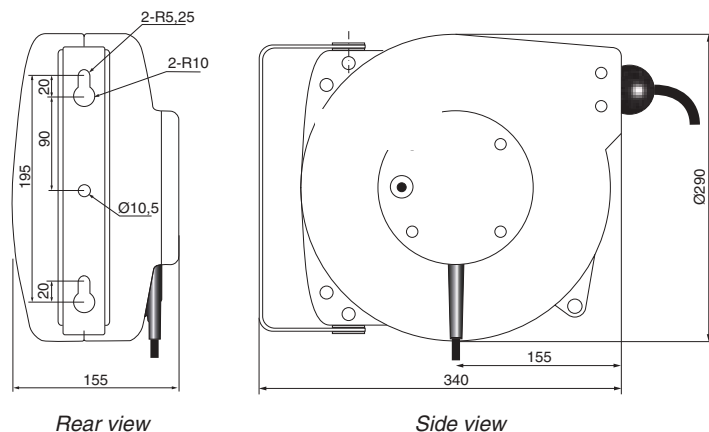
Cable reel series **AM0951**.



Extremely solid and multi-functional cable reels with aluminium housing for numerous applications. Available with 4 up to 12 collector rings. Provided with locking mechanism for effortless traction free working conditions. Available with or without cable. Suitable for wall and ceiling mounting. Excellent price / performance ratio!

Dimensional sketch *)

dimensions in m)



Maximum electric load:
230V - 1000W (cable reeled) ;
230V - 2000W (cable unreel)

*) All dimensions and performances are under proviso.

AKAPP-STEMMANN helps you get the right equipment for the job. Please contact us or visit our internet site to obtain more information.

The Netherlands (head office):

Nijverheidsweg 14,
3771 ME Barneveld
Tel.: (+)31 342-403900
Fax: (+)31 342-403912

E-mail : info@akapp.com
Internet : www.akapp.com



AKAPP-STEMMANN

Member of the Fandstan Electric Group

Flexible with energy!