



AKAPP-STEMMANN

Member of the Fandstan Electric Group

HOSE REELS

**DA/DB
MB**



AKAPP STEEL HOSE REELS

for water, air, oil and grease*

**Series DA / DB
and MB**

Some important features:

- **Solid construction:** epoxy powder-coat finish provides durable corrosion protection for the steel housing. The reels can be applied both in- and outdoors.
- **Safe and efficient:** the containerized main spring enables quick, easy exchange or replacement.
- **Cost reducing:** the guide arm roller guide lets your valuable hoses wind perfectly and maximises their life duty cycle!
- **Ratchet lock:** can be engaged when continuous spring tension is not required, e.g. while working with hand tools.
- **Easy tension adjustment.**

AKAPP hose reels have been designed to provide top performance for both general and industrial use.

The design of the reels maximises:

- **convenience:** easy installation, use and maintenance;
- **reliability:** built using high quality component parts;
- **safety:** AKAPP reels eliminate the kinks and tangles that cause accidents and damage equipment.

Save money, work safe: use AKAPP reels!

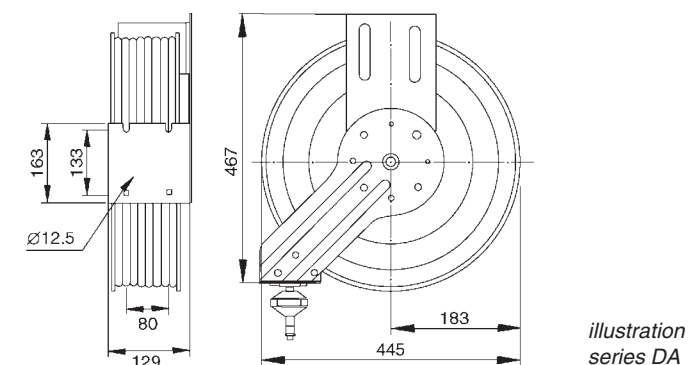


illustration series DA

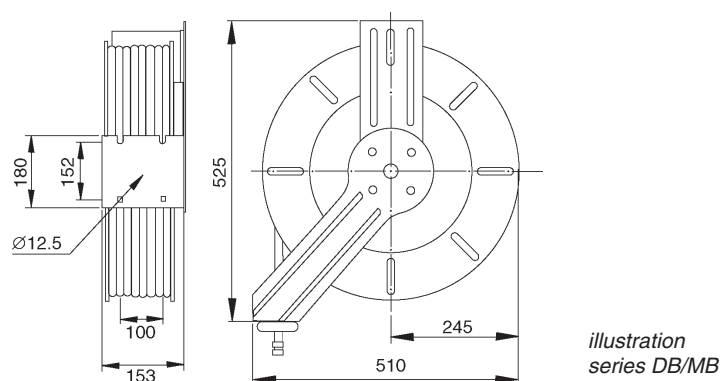


illustration series DB/MB

dimensions in mm

SELECTION CHART (stock models**):

standard type	hose incl./excl.	hose i.d.		hose o.d.		length		pressure max.	
		mm	inch	mm	inch	m	ft	bar	psi
DA230	incl.	6,4	1/4"	16	5/8"	9,1	30	20	300
DA330	incl.	9,6	3/8"	19	3/4"	9,1	30	20	300
DA 300	excl.							200	3000
DB350	incl.	9,6	3/8"	19	3/4"	15,2	50	20	300
DB450	incl.	12,7	1/2"	23,8	15/16"	15,2	50	20	300
DB400	excl.							200	3000
MB350	incl.	9,6	3/8"	19	3/4"	15,2	50	200	3000
MB450	incl.	12,7	1/2"	23,8	15/16"	15,2	50	200	3000

* DA and DB-types are not suitable for oil and grease.

** Reels may not be available from stock temporarily.

All performances and sizes under proviso. Other reel types on request.



Contact our Head Office or visit our web site for free advise and further information about AKAPP hose reels or other mobile power feed systems.

The Netherlands:

Nijverheidsweg 14,
3771 ME Barneveld
Tel. : (+)31 342-403900
Fax : (+)31 342-403912
Web : www.akapp.com
E-mail: info@akapp.com

Belgium:

Battelsesteenweg 455A
2800 Mechelen
Tel.: 015-281718
Fax: 015-281701



AKAPP-STEMMANN

Member of the Fandstan Electric Group

Flexible with energy!