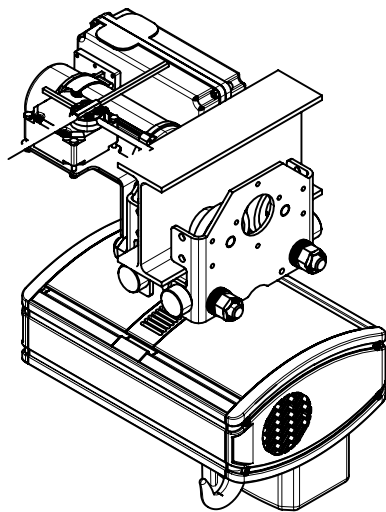
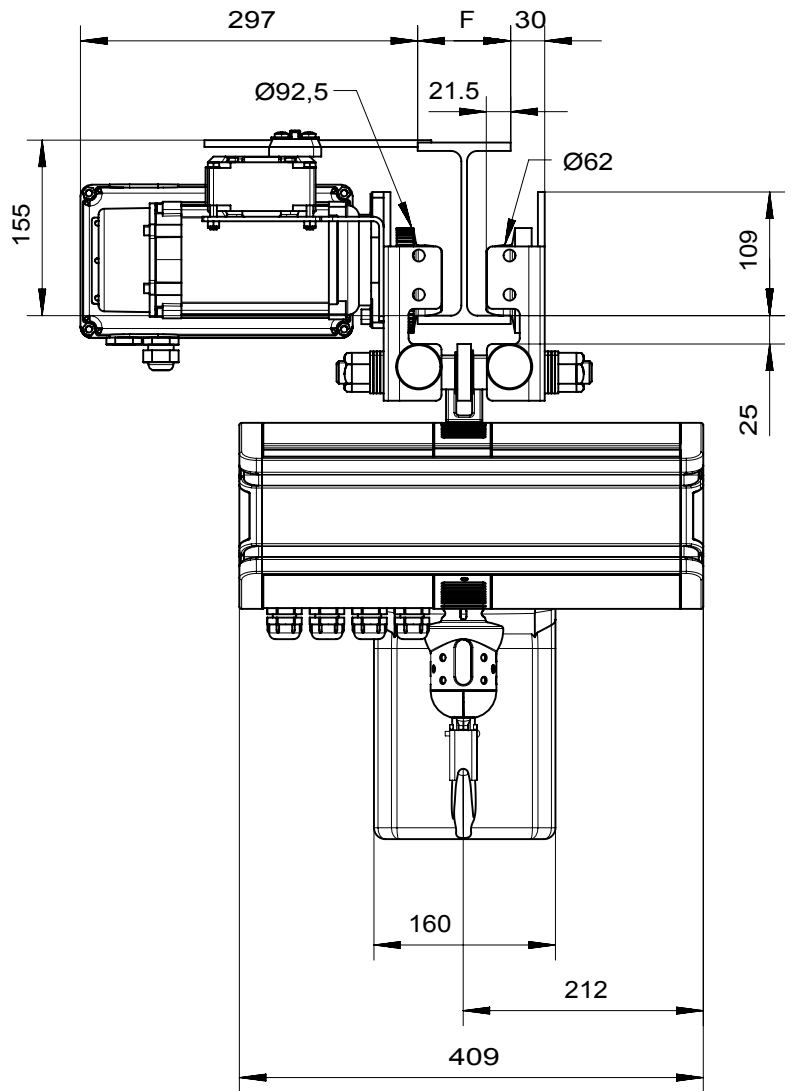
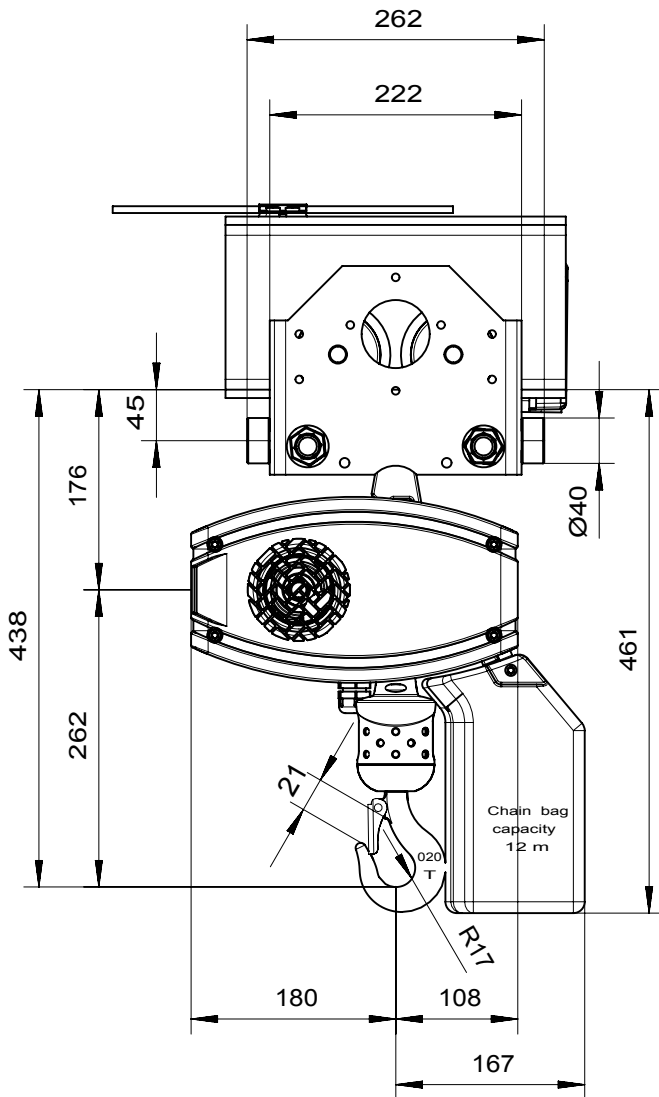


Fixed to electric travel trolley (perpendicular version)



$$55 < F < 310$$

	Without chain	With 3m of chain
Weight	49.7 kg	51.4 kg