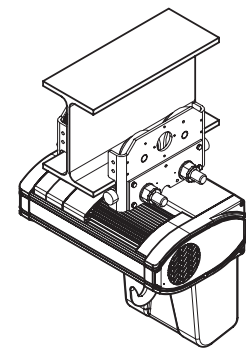
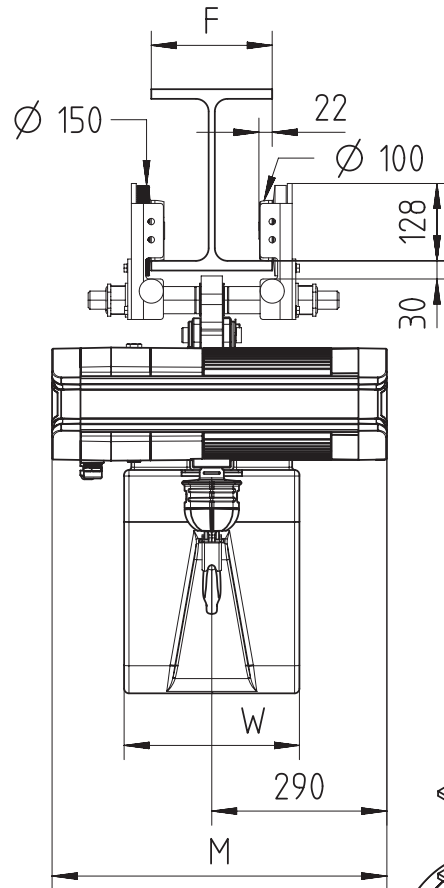
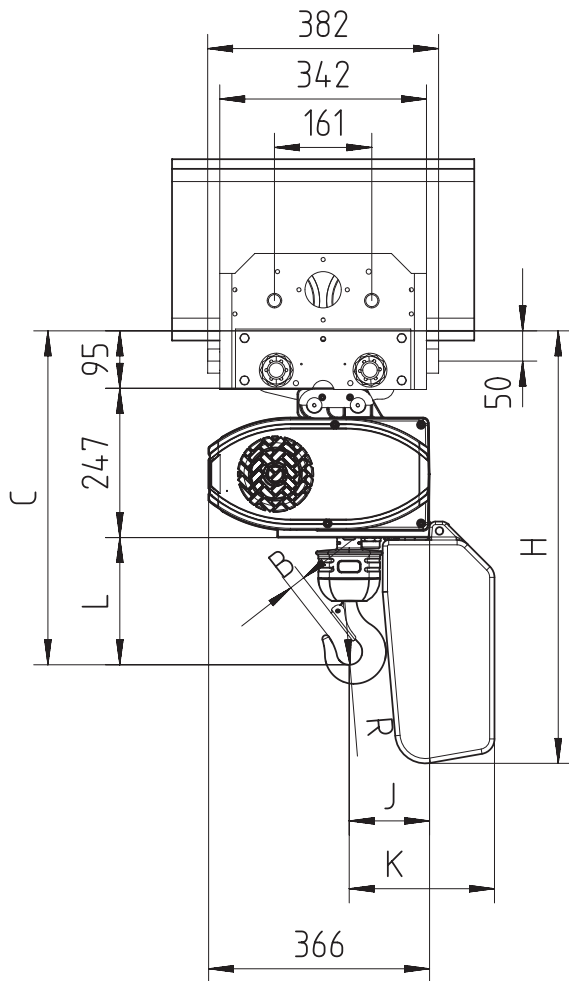


Accouplé à C3 chariot manuel (version perpendiculaire)
Fixed to push C3 trolley (perpendicular version)
Ösenaufhängung mit C3 Schiebefahrwerk (Quer zur Kettenzugachse)



Chain Size [mm]	Falls	Chain bag max capacity [m]	Max load kg	Dimensions [mm]										Weights [kg]			
				B	C	L	R	J	K	H	W	M		Weight of 3m of chain	Total weight w/o chain		
												Classic/ GLS	Neo/ DB		Classic	Neo	GLS
9X27	1	12	1600	26	552	210	22	133	240	716	290	554	668	5.31	135.8		
9X27	1	30	1600						315	891	300			5.31	135.8		
9X27	2	12	3200	35	678	336	25	175	282	716	290	554	668	5.31	139.3		
9X27	2	30	3200						357	891	300			5.31	135.9		
7X20	1	12	1250	28	599	257	21	133	240	716	290	554	668	3.36	135.1		
7X20	1	30	1250						315	891	300			3.36	135.1		

GLS = Gear Limit Switch
DB = Double Brake