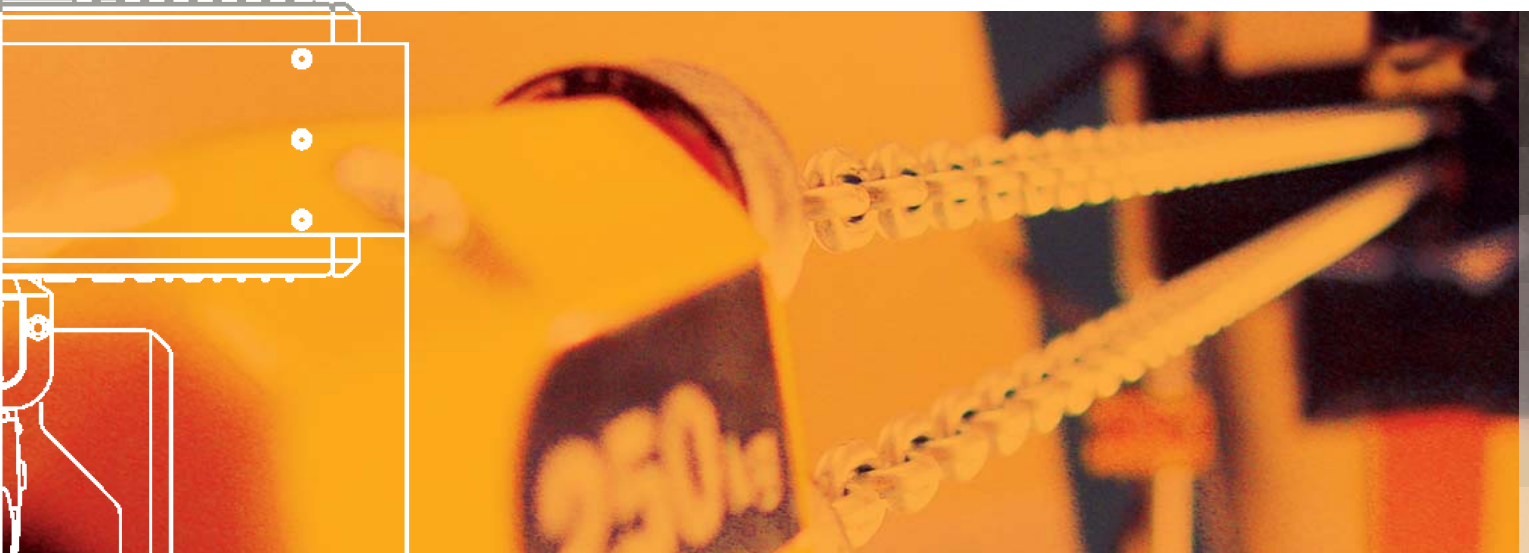


Look ahead!



Electric chain hoist SK

ProfileMaster



- **Optimum use of space**
Compact design and optimum approach dimensions
- **High operational reliability**
Emergency stop button, 48 V contactor control, drop stop safety
- **Gentle operation**
Upper and lower limit switch, variable stepless load travelling via frequency inverter
- **Reduced maintenance costs**
Robust industrial design, standardised product groups, easy accessibility

Advantage: Efficient and economical usage with the highest quality

Flexible, powerful and compact.

In our SK series, we have packed high-performance motors into a compact design. The extremely sturdy construction guarantees long service life, reliable operation and low wear, maintenance and service costs. The drive system with variable speed control reduces load sway and allows for the careful handling of the load. Noise levels are reduced thanks to the smooth and silent running of the trolley. The SK series is equipped with a low-voltage control system and complies with all relevant safety requirements for modern lifting gear. These high quality chain hoists are particularly suitable for a wide range of special applications.

Electric chain hoists for loads between 125 and 5,000 kg

Electric chain hoist SK



SK electric chain hoists can be customised to suit your particular needs. We offer a wide range of accessories and optional equipment ...



04 Electric chain hoist SK

Standard equipment:

- Stationary hoist with hook suspension
- 2 lifting speeds (4/1), optionally with frequency inverter
- Mechanical overload protection
- Top hook
- IP55 protection
- Motor insulation class F
- 48V contactor control
- Fully equipped with drive controls (with exception of SKalpha)
- IP65 control pendant with plug adapter and EMERGENCY-STOP
- Drive operation with frequency inverter, 2-speed or variable
- Suitable for ambient temperatures of between -20 °C and +40 °C
- Single girder trolley equipped with drop stops
- Lifting motor with thermal protection (SKD/E/F standard)
- Upper and lower hoisting limit switch



Options:

- Push travel trolley
- With frequency inverter for stepless hoisting and lowering
- Motor drive system with 2-speed or variable speed control
- Extremely low headroom trolley
- Load chain and hook in stainless steel
- Protective rain covers
- Hours in service meter
- RadioMaster radio control system
- Thermal protection for lifting motor and trolley drive
- Articulated bogey trolley for curved runway
- Push or motor travel trolley for ProfileMaster system
- Explosion proof version
- HandyMaster control pendant for increased efficiency
- With extreme lifting heights for windmill applications

ProfileMaster



**Modular
lightweight crane
system for loads
between 125 and
2,000 kg**

- **Flexible arrangement possibilities**
Wide range of profiles, switches, curves, turntables and much more, larger spans possible
- **Short assembly times**
Pre-designed, pre-assembled and pre-wired components, optimised suspension and connection
- **Low maintenance costs**
Minimum service required, longer lasting and robust hoists

05

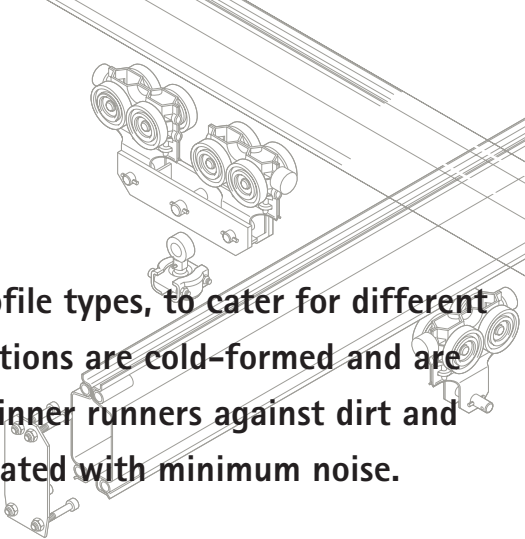
Advantage: Flexibility and optimised performance, through modular design

The simple solution to many complex problems.

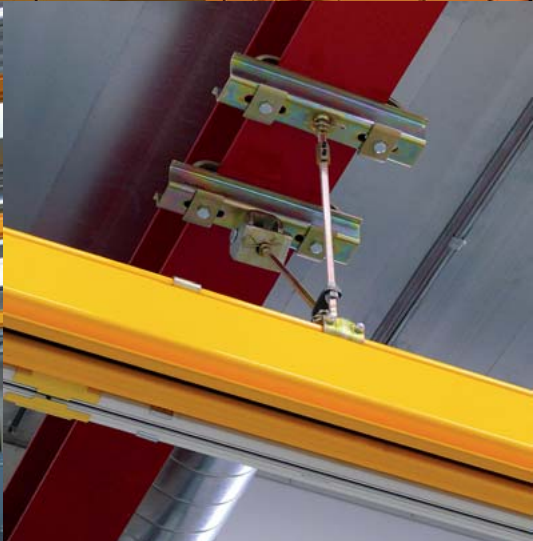
Often, simple solutions are the most effective. ProfileMaster is a complete modular kit design to solve even the most intricate logistical task. The profile crane system has a proven track record especially with companies where a fast and coordinated transfer of materials is of the essence.

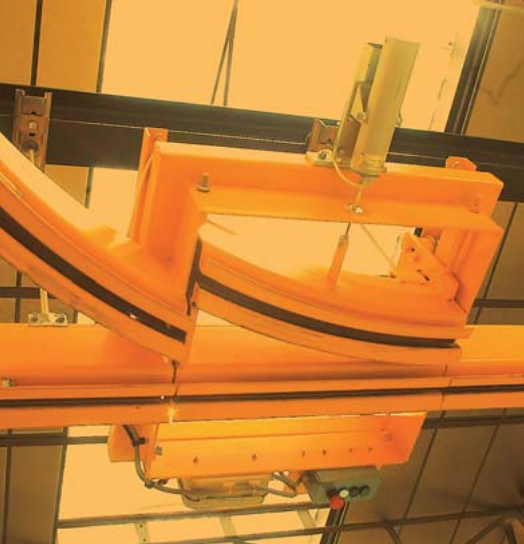
The system can thus be seen in many manufacturing and warehouse premises. With ProfileMaster, you have the option to design your own individual hoisting system by combining our high-quality pre-assembled components that provide solutions for all tasks. Our kits include turntables, swivelling and sliding switch points and a wide range of other components. ProfileMaster is available as a single-girder or double-girder system with manual or electric drive systems.

ProfileMaster is available in three different profile types, to cater for different load weights and suspension distances. The sections are cold-formed and are extremely rigid. The closed shape protects the inner runners against dirt and dust. Both the bridges and trolleys can be operated with minimum noise.



06 ProfileMaster





ProfileMaster always offers you the optimum solution:

- Flexible and individually adjustable lightweight crane systems
- Easy installation thanks to a simple connection system
- Smooth lifting and positioning of loads, be it manually or by variable electric speed control
- Wide range of profiles available
- Suitable for extremely large spans
- Available for various headrooms
- We provide monorail tracks with curves, switch points and turntables as well as single-girder and double-girder solutions
- We also provide customised equipment to suit your specific needs
- Highest quality standard and minimum production tolerances
- Low noise level
- Various installation options with numerous securing points
- Easy to modify and/or extend
- Prolonged service life combined with low maintenance costs
- Available at a competitive price topped with low running costs



Look ahead!



WWW.RALF-GROSSE-SCHULTE.DE

SWF Krantechnik GmbH

Postfach 31 04 10
D-68264 Mannheim
Germany

Boehringer Str. 4
D-68307 Mannheim
Germany

Phone +49(0)621.78990-0
Fax +49(0)621.78990-100

info@swfkrantechnik.com
www.swfkrantechnik.com